

MECHANICAL PUMPS

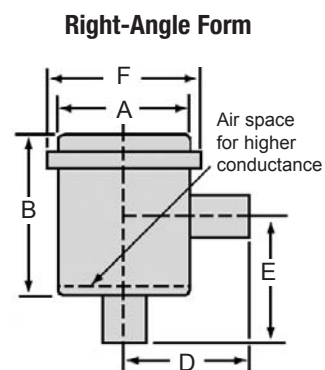
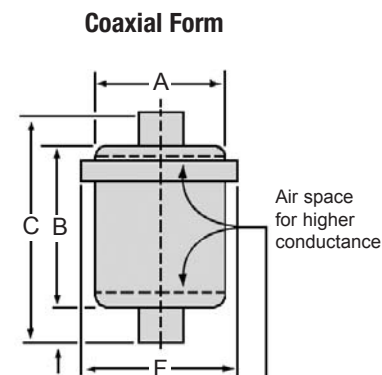
Intake FLEX-TRAPS, NEW

FLEX TRAPS

Our flex traps are provided with fibrous stainless steel sieve for removal of hydrocarbons which backstream toward the chamber when the mechanical pump oil is at its vapor pressure. Copper sieve is also available as an option by adding the suffix "-CS" to the model number at no additional cost. The flex trap's two-piece clamped body design makes disassembly, cleaning and replacement of the sieve a simple task. Coaxial and right angle port configurations are available with 2, 4, 6, 8 and 12 inch OD bodies with port ODs from 1/2 to 8 inches with or without NW, ISO, CF or ASA flanges.

FLEX TRAPS - STAINLESS STEEL MESH

DUNIWAY PART #	DESCRIPTION	PRICE
CFT-NW16-4	FLEX TRAP, Coaxial, NW16B Flanges, Model # FCT-4-0752-NWB A (Body OD): 4.0", B (Body Ht.): 7.0", C (Total Ht.): 10.0", F (Rim OD): 4.8", Port OD: 0.75"	\$206.00
CFT-100-4	FLEX TRAP, Coaxial, Hose Port, Model # FCT-4-100 A (Body OD): 4.0", B (Body Ht.): 7.0", C (Total Ht.): 10.0", F (Rim OD): 4.8", Port OD: 1.0"	206.00
CFT-NW25-4	FLEX TRAP, Coaxial, NW25B Flanges, Model # FCT-4-1002-NWB A (Body OD): 4.0", B (Body Ht.): 7.0", C (Total Ht.): 10.0", F (Rim OD): 4.8", Port OD: 1.0"	231.00
CFT-NW40-4	FLEX TRAP, Coaxial, NW40B Flanges, Model # FCT-4-1502-NWB A (Body OD): 4.0", B (Body Ht.): 7.0", C (Total Ht.): 10.0", F (Rim OD): 4.8", Port OD: 1.5"	256.00
CFT-150-6	FLEX TRAP, Coaxial, Hose Port, Model # FCT-6-150 A (Body OD): 6.0", B (Body Ht.): 7.0", C (Total Ht.): 10.0", F (Rim OD): 6.9", Port OD: 1.5"	355.00
CFT-NW40-6	FLEX TRAP, Coaxial, NW40B Flanges, Model # FCT-6-1502-NWB A (Body OD): 6.0", B (Body Ht.): 7.0", C (Total Ht.): 10.0", F (Rim OD): 6.9", Port OD: 1.5"	389.00
CFT-200-6	FLEX TRAP, Coaxial, Hose Port, Model # FCT-6-200 A (Body OD): 6.0", B (Body Ht.): 7.0", C (Total Ht.): 10.0", F (Rim OD): 6.98", Port OD: 2.0"	406.00
CFT-NW50-6	FLEX TRAP, Coaxial, NW50B Flanges, Model # FCT-8-2002-NWB A (Body OD): 6.0", B (Body Ht.): 7.0", C (Total Ht.): 10.0", F (Rim OD): 6.9", Port OD: 2.0"	416.00
AFT-050-2	FLEX TRAP, Right-Angle, Hose Port, Model # FTA-2-050 A (Body OD): 2.0", B (Body Ht.): 5.25", D: 2.5", E: 5.31", F (Rim OD): 3.56", Port OD: 0.5"	158.00
AFT-NW10-2	FLEX TRAP, Right-Angle, NW10B Flanges, Model # FTA-2-0502-NWB A (Body OD): 2.0", B (Body Ht.): 5.25", D: 2.5", E: 5.31", F (Rim OD): 3.56", Port OD: 0.5"	167.00
AFT-NW16-2	FLEX TRAP, Right-Angle, NW16B Flanges, Model # FTA-2-0752-NWB A (Body OD): 2.0", B (Body Ht.): 5.25", D: 2.5", E: 5.19", F (Rim OD): 3.56", Port OD: 0.75"	172.00
AFT-NW25-2	FLEX TRAP, Right-Angle, NW25B Flanges, Model # FTA-2-1002-NWB A (Body OD): 2.0", B (Body Ht.): 5.25", D: 2.5", E: 5.06", F (Rim OD): 3.56", Port OD: 1.0"	178.00
AFT-NW16-4	FLEX TRAP, Right-Angle, NW16B Flanges, Model # FTA-4-0752-NWB A (Body OD): 4.0", B (Body Ht.): 7.0", D: 3.5", E: 6.53", F (Rim OD): 4.80", Port OD: 0.75"	238.00
AFT-100-4	FLEX TRAP, Right-Angle, Hose Port, Model # FTA-4-100 A (Body OD): 4.0", B (Body Ht.): 7.0", D: 3.5", E: 6.41", F (Rim OD): 4.8", Port OD: 1.0"	225.00
AFT-NW25-4	FLEX TRAP, Right-Angle, NW25B Flanges, Model # FTA-4-1002-NWB A (Body OD): 4.0", B (Body Ht.): 7.0", D: 3.5", E: 6.41", F (Rim OD): 4.8", Port OD: 1.0"	256.00
AFT-NW40-4	FLEX TRAP, Right-Angle, NW40B Flanges, Model # FTA-2-1502-NWB A (Body OD): 4.0", B (Body Ht.): 7.0", D: 3.5", E: 6.15", F (Rim OD): 4.8", Port OD: 1.5"	275.00
AFT-150-6	FLEX TRAP, Right-Angle, Hose Port, Model # FTA-6-150 A (Body OD): 6.0", B (Body Ht.): 7.0", D: 4.5", E: 5.0", F (Rim OD): 6.9", Port OD: 1.5"	413.00
AFT-NW40-6	FLEX TRAP, Right-Angle, NW40B Flanges, Model # FTA-6-1502-NWB A (Body OD): 6.0", B (Body Ht.): 7.0", D: 4.5", E: 5.0", F (Rim OD): 6.9", Port OD: 1.5"	449.00
AFT-NW50-6	FLEX TRAP, Right-Angle, NW50B Flanges, Model # FTA-6-2002-NWB A (Body OD): 6.0", B (Body Ht.): 7.0", D: 4.5", E: 4.75", F (Rim OD): 6.9", Port OD: 2.0"	478.00



MECHANICAL PUMPS

FILTER ELEMENTS FOR FLEX TRAPS

DUNIWAY PART #	DESCRIPTION	PRICE
FT-2-SS	Replacement Filter Element, FLEX TRAP, Stainless Steel Mesh, for A (Body OD): 2.0"	\$25.00
FT-4-SS	Replacement Filter Element, FLEX TRAP, Stainless Steel Mesh, for A (Body OD): 4.0"	32.00
FT-6-SS	Replacement Filter Element, FLEX TRAP, Stainless Steel Mesh, for A (Body OD): 6.0"	63.00

See Page 74 for
Molecular Sieve Traps